

Model: Sixty

Product inform.



dated 06/2022



1,5-seater XL with armrest left - Longchair XL with armrest right



3-seater - 2,5-seater



Longlife by 3C Care

Model: Sixty

Checklist

So you won't forget any of our choices...

Please use this checklist in order to discuss all options with your customer.

An absolute must

The following options must be considered for this model (please always mention with your order):

Feet

Accessories

Have you informed your customers about the selection of our accessories?

Stool

Cushion

Model: Sixty

Product and ordering information

Frame:	Load-bearing parts of the frame made of solid wood and wood materials, surfaces lined with padded cover.
Seat:	Spring system with permanently elastic steel sinuous springs and upper-side cover. Fixed seat made of PUR-foam (at least RG 35), structured in layers and harmonized in different thicknesses and hardnesses. Seat covered with cotton wadding. (For illustration see „Construction, ordering informations and cross sections“)
Back:	Back made of ergonomically shaped PUR foam (min. RG 25). Cover made of cotton wadding.
Upholstery:	Soft, casual upholstery structure, in which a model-related or design-related wave formation of the covers, as well as seat imprints, are typical for the product. The upholstery will adapt to the body shape or the seat firmness will slightly decrease. Minor differences in the seat firmness in the case of add-on assemblies are due to the design and are therefore no reason for complaint.
Decorative fabric:	The decorative fabric (decorative fabric PG 6 / decorative fabric PG 10) is only available for cushions and pattern matching is not possible. The prices can be found on PG 6 or PG 10. The decorative fabric Classy is available for this model and pattern matching is not possible. For prices please see PG 10.
Dimensions:	Total height: 94 cm Total height recamier: 84 cm Total height Longseat: 95 cm Total height high-back armchair: 106 cm Depth: 95 cm Seat height: 47 cm Seat depth: 61 cm Seat depth Longseat: 125 cm

Model: Sixty



Structure, ordering information and cross coupe

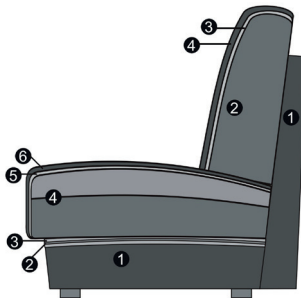
Miscellaneous: All materials used meet the requirements of the DGM according to RAL GZ 430. The seam appearance may vary depending on the fabric, leather or vegan leather used. The markings on quilted mats and cushions are due to design or construction. The processing of decorative seams, cut seams or double seams can be different in the fabric, leather or leather or imitation leather variants.

Suites are standardly delivered with the back covered in the chosen fabric. All material-related information can be found on the back of the individual fabrics and leaterhs in our fabric and leather samplers.

All values stated in the price list are approximate measurements in centimetres, determined by the usual measuring method (see RAL-GZ 430) and in unused new condition. Please note that in the course of use of very casual upholstered furniture, particularly the seat height and seat depth, there may be noticeable deviations from the dimensions given here. We reserve the right to make changes in form, colour and construction in the course of technical progress.

Please note orders always as standing in front of it from left to right!

Seat: sandwich structure / Back: foam



Seat

1. frame
2. zigzag springs
3. zigzag spring cover
4. sandwich structure (fixed marked seat)
5. cotton wadding cover
6. cover material

Back

1. frame
2. foam (fixed back)
3. cotton wadding cover
4. cover material

Model: Sixty

Foot selection



778
Metalleg
shiny chrome



839
Metalleg
black matt



347
Wooden-Metalleg
oiled oak

Notes feet:

Wood foot-colour: Only in oiled oak!

Wooden foot oiled oak: Attention! For the wooden leg we charge a surcharge!

Model: Sixty



universal supporting foot

supporting foot: One element (with 2 feet) can become a basic element with 4 feet using the universal support feet!

The supporting feet are possible for elements without function with or without armrest!

Two elements with function cannot be combined with the supporting feet!

Article consisting of 2 universal support feet, 2 spax screws and assembly instructions.

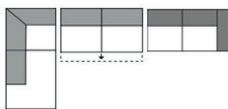


Element with armrest left -
Element with armrest right -
it is possible

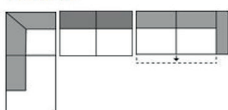


Element with armrest left -
Element with armrest right with function
it is possible

universal supporting foot



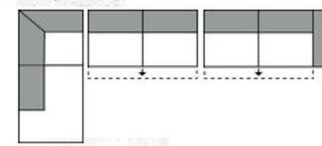
Corner element left -
Element without armrest with function
Element with armrest right (without function)
it is possible



Corner element left -
Element without armrest -
Element with armrest right with function
it is possible



Element with armrest left with function
Element with armrest right with function
NOT possible



Corner element left -
Element without armrest with function -
Element with armrest right with function
NOT possible

Model: Sixty



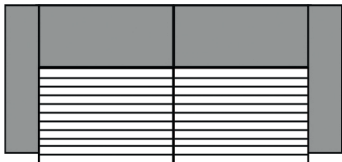
Cord

This model is also available in Cord (PG Cord)

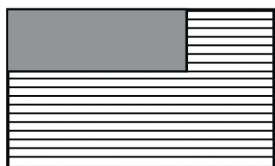
PG Cord is confirmed on the order confirmation. For prices, please refer to price group 6.

For thread course for corduroy, see Picto.

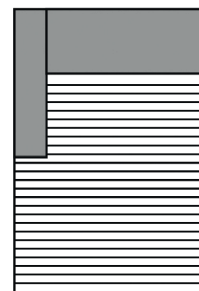
Not every model has the types shown or other types. This is ONLY an excerpt!
Please refer to the type plan of the desired model for the type selection.



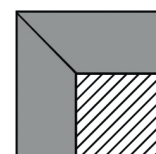
3-seater/1-seater+end-element etc.



Longchair



corner element



angular corner

Model: Sixty



All articles at a glance

(without types with function and accessories)

Single elements with 2 armrests					
3-seater with 2 armrests	2,5-seater with 2 armrests	2-seater with 2 armrests	longseat	armchair with 2 armrests	high-back armchair
225 cm	200 cm	175 cm	130 x 160 cm	100 cm	100 cm

Single elements with Armrest left / right					
1,5-seater XL with armrest left / right					
150 cm					

Basic elements					
longchair with armrest left / right	longchair XL with armrest left / right	Round corner element, large			
100 x 175 cm	150 x 175 cm	106 x 106 cm			

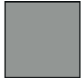



Recamier (freely adjustable)					
recamier left / right					
223 x 90 cm					

Model: Sixty



Accessories

For technical reasons, the model is not available in artificial leather!
 The decorative fabric (decorative fabric PG 6 / decorative fabric PG 10) is only available for cushions and pattern matching ist not possible. For prices please refer to PG 6 respectively to PG 10. Model can also be ordered in the decorative fabric Classy (PG 10).

Dimension (ap. cm)				
Height	94			
Depth	95			
Seat hei.	45			
Seat dep.	61			
				
item No.	7854	7859	7853	7804
Dimensions	70 x 70 cm	90 x 60 cm	120 x 70 cm	40 x 40 cm
	stool	stool bench medium	stool bench	cushion
Prices in EUR				

price group 6	-	-	-	-
price group 8	-	-	-	-
price group 10	-	-	-	-
price group 12	-	-	-	-
price group D	-	-	-	-
price group H	-	-	-	-
price group J	-	-	-	-
price group T	-	-	-	-

Surcharges

Model: Sixty



Accessories

For technical reasons, the model is not available in artificial leather!
 The decorative fabric (decorative fabric PG 6 / decorative fabric PG 10) is only available for cushions and pattern matching ist not possible. For prices please refer to PG 6 respectively to PG 10. Model can also be ordered in the decorative fabric Classy (PG 10).


Dimension (ap. cm) Height 94 Depth 95 Seat hei. 45 Seat dep. 61					
	item No.	7805	7806	9295	7546
	Dimensions	50 x 50 cm	60 x 60 cm	60 x 40 cm	75 x 75 cm
		cushion	cushion	cushion	flutter cushion square M
Prices in EUR					
price group 6	-	-	-	-	
price group 8	-	-	-	-	
price group 10	-	-	-	-	
price group 12	-	-	-	-	
price group D	-	-	-	-	
price group H	-	-	-	-	
price group J	-	-	-	-	
price group T	-	-	-	-	

Surcharges

Model: Sixty

Accessories

For technical reasons, the model is not available in artificial leather!
 The decorative fabric (decorative fabric PG 6 / decorative fabric PG 10) is only available for cushions and pattern matching ist not possible. For prices please refer to PG 6 respectively to PG 10. Model can also be ordered in the decorative fabric Classy (PG 10).

Dimension (ap. cm) Height 94 Depth 95 Seat hei. 45 Seat dep. 61				
item No.	7545			
Dimensions	95 x 95 cm			
	flutter cushion square L			
Prices in EUR				
price group 6	-			
price group 8	-			
price group 10	-			
price group 12	-			
price group D	-			
price group H	-			
price group J	-			
price group T	-			

Surcharges

Model: Sixty



Goldenes M & Emissionslabel

Are you demanding? That's fine - we are too!

Therefore, we attach great importance to durability, material quality, longevity, safety and health tolerance!

Because our furniture meets the high standards of the Gütegemeinschaft Möbel e.V., our entire product range is awarded the quality mark „Golden M“ and the highest possible emission class A.



Quality mark „Goldenes M“

Nearly 50 years of research, laboratory tests, field tests, comparisons and scientific exchange is behind the RAL quality mark „Goldenes M“.

- Tested quality according to quality and test regulations RAL-GZ 430
- Guaranteed safety through elaborate laboratory and functional tests
- Healthy living through strict limits for pollutants - sometimes more stringent than the law requires, which were determined in independent test laboratories

The „Goldenes M“ means for the furniture buyer: This is quality, you can rely on.



Emission label

An expert group of the Deutsche Gütegemeinschaft Möbel e.V. has developed in collaboration with leading test institutes such as TÜV Rheinland, the LGA Nuremberg and the ECO Institute an Emission label for furniture.

- The label gives the consumer information about pollutant emission and should protect him from health protect impairments
- The entire range is classified according to these guidelines
- The proof of classifications is based on compliance of the awarding basis with appropriate pollutant tests from neutral testing institutes based on the requirements of RAL-GZ 430 or the Blue Angel's.

Our products meet the highest emission class „A“, which gives us a clear conscience and you a maximum of safety with regards to the emission levels of your upholstery.

Model: Sixty



blue angel and longlife

Are you demanding? That's fine - we are too!

Especially in the leather area, a responsible approach to the environment and health is very important for us.. Our leathers have been awarded the „Blue Angel“ because we specifically select upholstery leathers for our furniture that are harmless to health.

So that our customers can enjoy their leather furniture for a long time, we now offer the possibility to take out an additional 5-year service up to 4 weeks after purchasing the furniture.



www.blauer-engel.de/uz148

Blue Angel - environmentally friendly upholstery leather

The Blue Angel for low-emission upholstery leather signals that the excellent leathers minimize the environmental and health burdens from production over the entire daily use to recycling and disposal. The following leather qualities are awarded with the Blue Angel:

Cento
Dickleder Torero
Life-Line
Vicenza



The Blue Angel is the world's most successful eco-label with a brand awareness of 92%!

5-Year-Longlife-Service

With the right cleaning and care products you keep the value of your upholstered furniture and enjoy it for a long time. As part of this 5-Year LONGLIFE-Service, you will receive professional phone support, free special products and free support.

The Service can be completed for the following leather qualities:

Cento
Dickleder Torero
Mercury
Vicenza

Longlife
by 3C Care



5-Year-LONGLIFE-Service provides security for a upholstery leather that is particularly durable and easy to care for!

For more information please see www.3c-care.de

Model: Sixty



**OEKO-TEX® STANDARD 100 + klimaneutraler
Hersteller**

What is OEKO-TEX®?

Many of our fabrics and upholstery materials have been awarded the STANDARD 100 by OEKO-TEX® label. If a textile article has been awarded this label, you can be sure that this fabric or upholstery material has been tested for harmful substances and the article is therefore harmless to health.

You can find information on which of our upholstery fabrics are certified and other helpful information on our homepage at <https://www.candy-polstermoebel.de/bezuege/stoffe/>

The award offers you the following advantages:

- STANDARD 100 by OEKO-TEX® is one of the world's most renowned labels for textiles tested for harmful substances. It stands for customer confidence and high product safety.
- The testing is carried out by independent OEKO-TEX® institutes on the basis of a comprehensive OEKO-TEX® criteria catalogue.
- The test procedure takes into account many substances, both regulated and non-regulated, that could be harmful to human health.
- In many cases, the limit values set for the STANDARD 100 go beyond national and international standards.
- The catalogue of criteria is updated at least once a year and expanded to include new scientific findings or legal requirements.



(example label)



We are a climate-neutral furniture manufacturer (on balance sheet and through CO₂ certificates)

We can proudly say that we have been awarded as a climate-neutral manufacturer by the DGM. Our actions are always oriented towards the careful use of resources in order to protect and preserve the livelihoods of people, animals and plants. For 3C, sustainability is not just an advertising promise - the development of sustainable products is a matter of course for us.

Model: Sixty

EU guidelines



WEEE-Reg.-Nr. DE 22661937

Informationspflichten gemäß §18 Abs. 2 Elektro- und Elektronikgerätegesetz:

<https://www.bmu.de/themen/wasser-abfall-boden/abfallwirtschaft/statistiken/elektro-und-elektronikaltgeraete/>