

Model: Altea

Product inform.



dated 06/2022



Longchair long with armrest left - 2-seater with armrest right (LALlong-2AR) and 2-seater with 2 armrests (2ALR)



2-seater with armrest left - corner element right



2-seater with 2 armrests



www.blauer-engel.de/uz148



Longlife by 3C Care

Model: Altea

Checklist

So you won't forget any of our choices...

Please use this checklist in order to discuss all options with your customer.

An absolute must

The following options must be considered for this model (please always mention with your order):

Seat depth

Seam variant

Accessories

Have you informed your customers about the selection of our accessories?

Stool

Cushion

Wooden tray

Model: Altea



Product and ordering information

Frame: Load-bearing parts of the frame made of solid wood and wood materials, surfaces lined with padded cover.

Seat: Spring system with permanently elastic steel sinuous springs and upper-side cover. Loose seat cushions made of PUR foam (at least RG35), structured in layers and harmonized in different thicknesses and hardnesses. Seat covered with a ticking (filled with high quality filling material with an admixture of feathers)
Cover of cotton wool fleece.

Back: We exclude „live plucking“ for the procurement of these feathers! (For illustration see „Cross-sections and ordering information“)
Loose back cushions with a ticking (filled with high-quality filling materials contain an admixture of feathers).
We exclude „live plucking“ for the procurement of these feathers!

Upholstery: Especially light upholstery is distinguished by its super soft surface. In new condition, the covers exhibit a pronounced wave pattern purposefully based on the design and structure. The upholstery will adjust to the shape of the body and the firmness of the seat will give a little bit. Minor differences in seat firmness with add-on units are design-based and are therefore not a cause for complaint.

Chamber cushions: This model features high-quality chamber cushions. The filling material is held in chambers within the cushions to prevent it from shifting. The chambers and the filling material can stand out more or less depending on the type and thickness of the cover material. In order to prevent the filling material from bulging, these seat and back cushions should be plumped up, just like you do with pillows.

Slipcovers: The covers can only be cleaned chemically! Machine wash is not possible! Further textile labels can be found on the cover.

Seat depths: Seat depth 1 (ST1) = 64 cm or
Seat depth 2 (ST2) = 84 cm
Please state in your order.



Decorative fabric: The decorative fabric (decorative fabric PG 6 / decorative fabric PG 10) is only available for cushions and pattern matching is not possible. The prices can be found on PG 6 or PG 10.

Model: Altea



Structure, ordering information and cross coupe

Dimensions: Height: **85 cm**
Depth 1: **107 cm**
Depth 2: **127 cm**
Seat height: **43 cm**
Seat depth (ST1): **64 cm**
Seat depth (ST2): **84 cm**

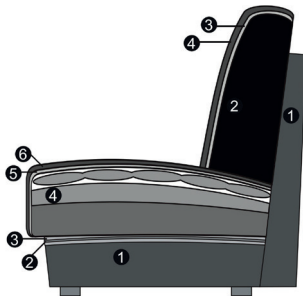
Miscellaneous: All materials used meet the requirements of the DGM according to RAL GZ 430. The appearance of the stitching may vary depending on the fabric, leather and artificial leather used.
The definition of quilted mats and cushions depend on the design and structure.
The appearance of decorative, fell and double seams may vary depending on the fabric, leather and artificial leather used.

All backrest tensioning parts are supplied as standard in their respective original covers. Material-related information can be found in our fabric and leather flaps on the back with the individual fabric and leather qualities.

All values stated in the price list are approximate measurements in centimetres.

We reserve the right to make changes in form, colour and construction in the course of technical progress.

Seat: sandwich str. + ticking / Back: ticking



Seat

1. frame
2. zigzag springs
3. zigzag spring cover
4. sandwich structure + ticking (loose seat cushions)
5. cotton wadding cover
6. cover material

Back

1. frame
2. ticking (loose back cushions)
3. cotton wadding cover
4. cover material

Model: Altea

Seam selection



Standard seam



Standard seam

Contrast seam

Seam selection:

The carcass is always provided with a standard seam.

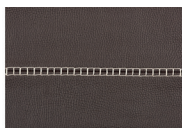
Seat and back cushion options:

Variant 1: standard seam

Variant 2: contrast seam / two-needle seam optics set off in the color beige.

Please specify with every order! Please note that for orders without reference to the seam variant, we always confirm the standard seam!

A mix of the seams for the seat and back cushions is not possible!



Keder

pipng

Seam selection:

The carcass is always provided with a standard seam.

Seat and back cushion options:

Variant 3: contrast stitching / square stitching optics set off in the color beige.

Variant 4: with piping - The piping is only available in the cover Yelda (all colors) - surcharge

Please specify with every order! Please note that for orders without reference to the seam variant, we always confirm the standard seam!

A mix of the seams for the seat and back cushions is not possible!

Model: Altea



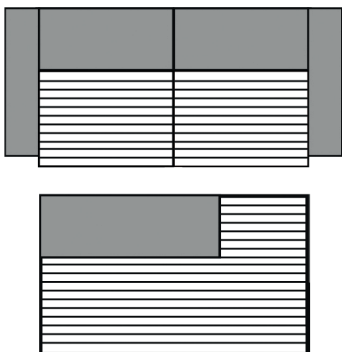
Cord

This model is also available in Cord (PG Cord)

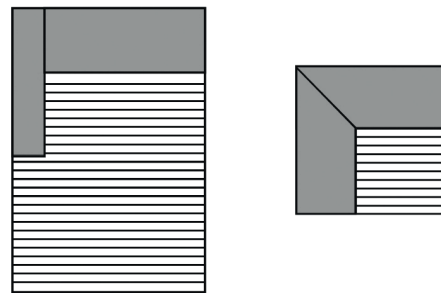
PG Cord is confirmed on the order confirmation. For prices, please refer to price group 6.

For thread course for corduroy, see Picto.

Not every model has the types shown or other types. This is ONLY an excerpt!
Please refer to the type plan of the desired model for the type selection.



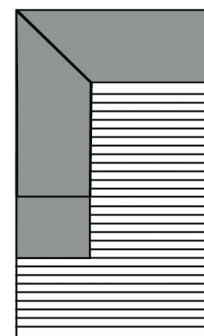
3-seater/1-seater+end-element etc.



Longchair/ottoman/angular corner



Combination corner ST1/ST2, ST2/ST1









Corner element

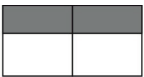

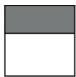
Model: Altea

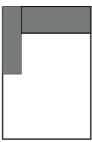
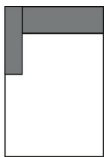
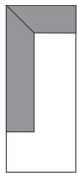


All articles at a glance
(without types with function and accessories)

Single elements with 2 armrests					
					
2-seater with 2 armrests	1,5-seater with 2 armrests	1,5-seater medium with 2 armrests			
230 cm	170 cm	150 cm			

Single elements with armrest left / right					
					
2-seater with armrest left / right	1,5-seater with armrest left / right	1,5-seater medium with armrest left / right			
206 cm	146 cm	126 cm			

Single elements without armrests					
					
2-seater without armrests	1,5-seater without armrests	1,5-seater medium without armrests			
181 cm	121 cm	101 cm			

Basic elements					
					
longchair with armrest left / right	longchair long with armrest left / right	corner element left / right			
126 x 170 cm	126 x 190 cm				

Model: Altea



Single elements ST1

The covers can only be cleaned chemically! Machine wash is not possible! Further textile labels can be found on the cover.

The model is only available in the covers Cord, Feincord, Matrix and Yelda!

Dimençons (ap. cm) Height: 85 Depth ST1: 107 Depth ST2: 127 Seat height: 43 Seat depth ST1: 64 Seat depth ST2: 84				
item No.	2002	2001 / 2003	2000	4594
Dimensions	230 cm	206 cm	181 cm	170 cm
	2-seater with 2 armrests	2-seater with armrest left / right	2-seater without armrests	1,5-seater with 2 armrests
Prices in EUR				

price group 6	-	-	-	-
price group 8	-	-	-	-

Surcharges

Model: Altea



Replacement covers ST 2

The covers can only be cleaned chemically! Machine wash is not possible! Further textile labels can be found on the cover.

The model is only available in the covers Cord, Feincord, Matrix and Yelda!

Dimensions (ap. cm) Height: 85 Depth ST1: 107 Depth ST2: 127 Seat height: 43 Seat depth ST1: 64 Seat depth ST2: 84				
item No.	6343	6322 / 6323	6353 / 6354	6348 / 6349
Dimensions				
	spare cover for 1,5oAmed	spare cover for longchair with armrest left / right	spare cover for longchair long with armrest left / right	spare cover for corner element left / right
Prices in EUR				
price group 6	-	-	-	-
price group 8	-	-	-	-

Surcharges

Model: Altea



Replacement covers

The covers can only be cleaned chemically! Machine wash is not possible! Further textile labels can be found on the cover.

The model is only available in the covers Cord, Feincord, Matrix and Yelda!

Dimensions (ap. cm) Height: 85 Depth ST1: 107 Depth ST2: 127 Seat height: 43 Seat depth ST1: 64 Seat depth ST2: 84				
item No.	6350	6351		
Dimensions				
	spare cover for stool square-shaped medium	spare cover for stool square-shaped large		
Prices in EUR				

price group 6	-	-		
price group 8	-	-		

Surcharges

Goldenes M & Emissionslabel

Are you demanding? That's fine - we are too!

Therefore, we attach great importance to durability, material quality, longevity, safety and health tolerance!

Because our furniture meets the high standards of the Gütegemeinschaft Möbel e.V., our entire product range is awarded the quality mark „Golden M“ and the highest possible emission class A.



Quality mark „Goldenes M“

Nearly 50 years of research, laboratory tests, field tests, comparisons and scientific exchange is behind the RAL quality mark „Goldenes M“.

- Tested quality according to quality and test regulations RAL-GZ 430
- Guaranteed safety through elaborate laboratory and functional tests
- Healthy living through strict limits for pollutants - sometimes more stringent than the law requires, which were determined in independent test laboratories

The „Goldenes M“ means for the furniture buyer: This is quality, you can rely on.



Emission label

An expert group of the Deutsche Gütegemeinschaft Möbel e.V. has developed in collaboration with leading test institutes such as TÜV Rheinland, the LGA Nuremberg and the ECO Institute an Emission label for furniture.

- The label gives the consumer information about pollutant emission and should protect him from health protect impairments
- The entire range is classified according to these guidelines
- The proof of classifications is based on compliance of the awarding basis with appropriate pollutant tests from neutral testing institutes based on the requirements of RAL-GZ 430 or the Blue Angel's.

Our products meet the highest emission class „A“, which gives us a clear conscience and you a maximum of safety with regards to the emission levels of your upholstery.

Model: Altea

blue angel and longlife



Are you demanding? That's fine - we are too!

Especially in the leather area, a responsible approach to the environment and health is very important for us.. Our leathers have been awarded the „Blue Angel“ because we specifically select upholstery leathers for our furniture that are harmless to health.

So that our customers can enjoy their leather furniture for a long time, we now offer the possibility to take out an additional 5-year service up to 4 weeks after purchasing the furniture.



www.blauer-engel.de/uz148

Blue Angel - environmentally friendly upholstery leather

The Blue Angel for low-emission upholstery leather signals that the excellent leathers minimize the environmental and health burdens from production over the entire daily use to recycling and disposal. The following leather qualities are awarded with the Blue Angel:

Cento
Dickleder Torero
Life-Line
Vicenza



The Blue Angel is the world's most successful eco-label with a brand awareness of 92%!

5-Year-Longlife-Service

With the right cleaning and care products you keep the value of your upholstered furniture and enjoy it for a long time. As part of this 5-Year LONGLIFE-Service, you will receive professional phone support, free special products and free support.

The Service can be completed for the following leather qualities:

Cento
Dickleder Torero
Mercury
Vicenza

Longlife
by 3C Care



5-Year-LONGLIFE-Service provides security for a upholstery leather that is particularly durable and easy to care for!

For more information please see www.3c-care.de

Model: Altea



OEKO-TEX® STANDARD 100 + klimaneutraler Hersteller

What is OEKO-TEX®?

Many of our fabrics and upholstery materials have been awarded the STANDARD 100 by OEKO-TEX® label. If a textile article has been awarded this label, you can be sure that this fabric or upholstery material has been tested for harmful substances and the article is therefore harmless to health.

You can find information on which of our upholstery fabrics are certified and other helpful information on our homepage at <https://www.candy-polstermoebel.de/bezuege/stoffe/>

The award offers you the following advantages:

- STANDARD 100 by OEKO-TEX® is one of the world's most renowned labels for textiles tested for harmful substances. It stands for customer confidence and high product safety.
- The testing is carried out by independent OEKO-TEX® institutes on the basis of a comprehensive OEKO-TEX® criteria catalogue.
- The test procedure takes into account many substances, both regulated and non-regulated, that could be harmful to human health.
- In many cases, the limit values set for the STANDARD 100 go beyond national and international standards.
- The catalogue of criteria is updated at least once a year and expanded to include new scientific findings or legal requirements.



(example label)

We are a climate-neutral furniture manufacturer (on balance sheet and through CO₂ certificates)

We can proudly say that we have been awarded as a climate-neutral manufacturer by the DGM. Our actions are always oriented towards the careful use of resources in order to protect and preserve the livelihoods of people, animals and plants. For 3C, sustainability is not just an advertising promise - the development of sustainable products is a matter of course for us.



Model: Altea

EU guidelines



WEEE-Reg.-Nr. DE 22661937

Informationspflichten gemäß §18 Abs. 2 Elektro- und Elektronikgerätegesetz:

<https://www.bmu.de/themen/wasser-abfall-boden/abfallwirtschaft/statistiken/elektro-und-elektronikaltgeraete/>